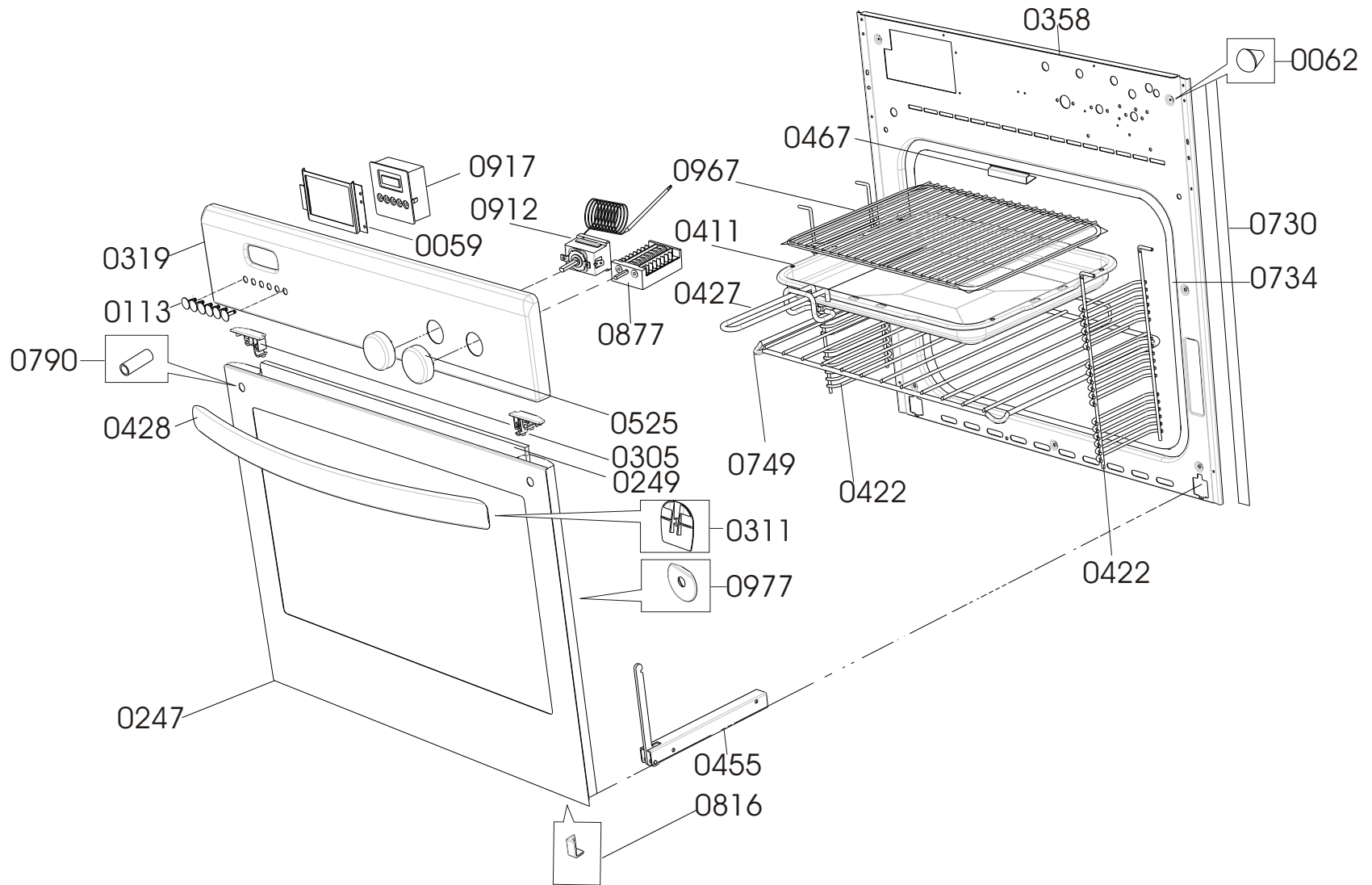


ELECTRIC

DOOR ,FACIA ,FRONT FRAME ASSEMBLY.



STOVES
 Newhome STOVES NEW HOME EFA600H ISSUE2 DATE 13-10-05.
 ELECTRIC BUILT -IN OVEN CAVITY ASSEMBLY.

